



# ***Vacuum Generator***

## ***Cartridge Upgrade***

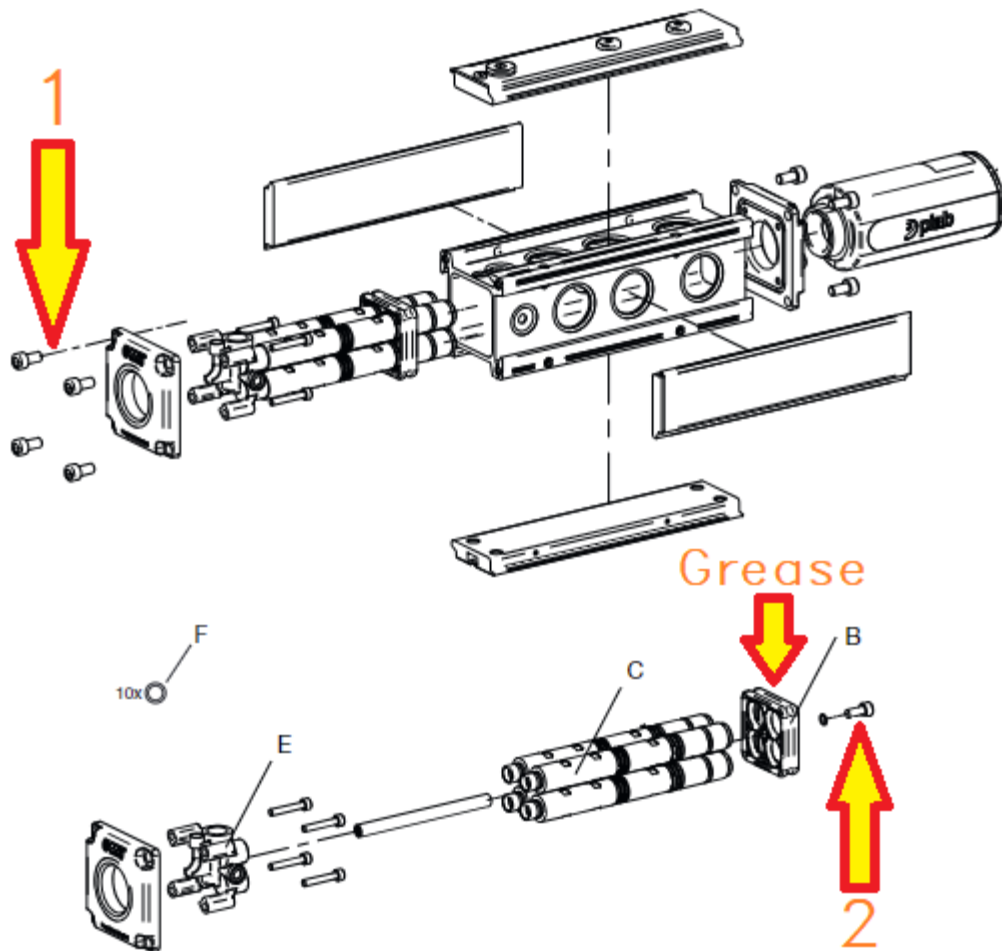
P/N 1443



11841 243rd Ave NW, Zimmerman, MN 55398

763.856.2044

<http://nemi.com>



- 1) Remove four screws (1) and carefully pull out the cartridge holder.  
It may be a bit tough to grab so they recommend using a flat head to get it started.
- 2) With the cartridge holder removed, remove screw (2).
- 3) Remove the cartridges from the base of the cartridge holder.
- 4) Remove the plastic retaining clip (3) on the cartridge.
- 5) Pull the cartridge up and out.
- 6) Insert replacement cartridge and re-assemble.

